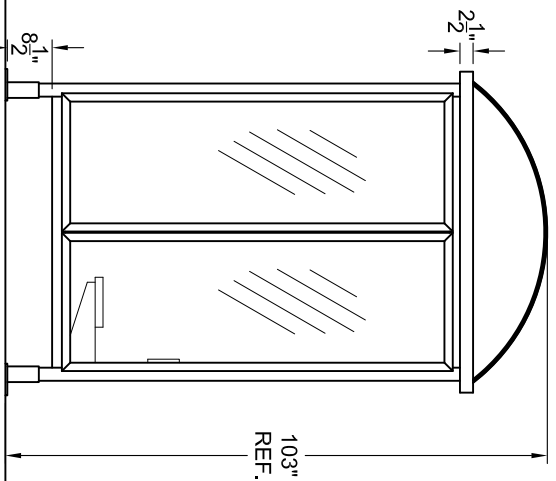
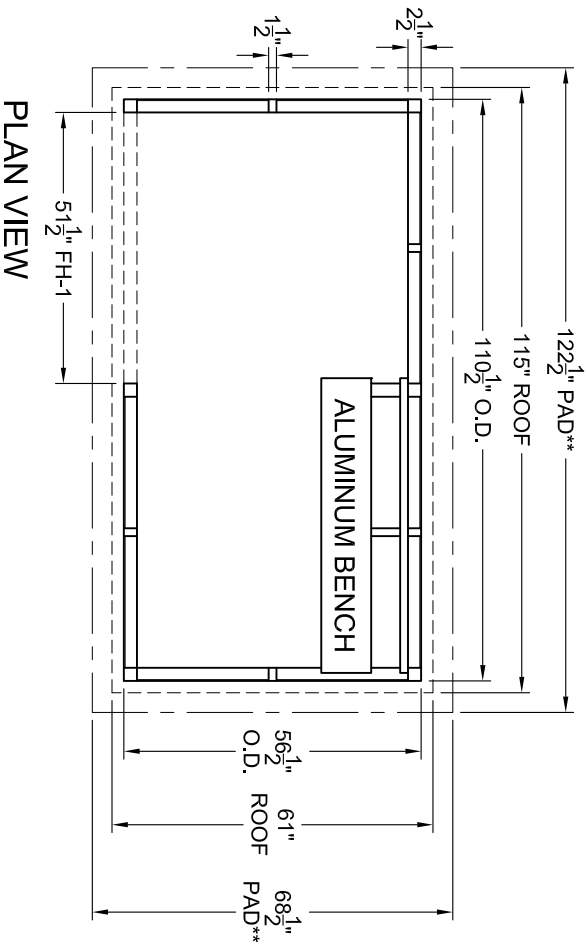
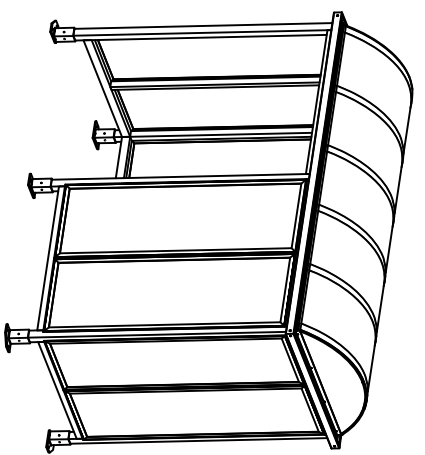


FRONT ELEVATION



SIDE ELEVATION



PLAN VIEW

- NOTES (INITIAL FOR APPROVAL WHERE INDICATED):**
- FINISH IS TO BE DARK BRONZE ANODIZED
 - ROOF TO BE 6MM BRONZE PCSS BARREL VAULT
 - WALL GLAZING IS 1/4" CLEAR TEMPERED GLASS
 - ADA LENGTH ALUMINUM BENCH AND BACKREST
- **PAD BY OTHERS, DIMENSIONS ARE RECOMMENDATION ONLY, ALL APPLICABLE CODES GOVERN****

Duo-Gard Industries, Inc.
Tel (734) 207-9700 Fax (734) 207-7995
www.duo-gard.com

THIS DRAWING IS PROPRIETARY AND FOR THE SOLE USE OF OUR CUSTOMER AND MAY NOT BE COPIED OR REPRODUCED WITHOUT PRIOR WRITTEN CONSENT FROM DUO-GARD INDUSTRIES, INC. LEAD TIME BEGINS UPON RECEIPT OF SIGNED SHOP DRAWINGS

APPROVAL SIGNATURE _____ DATE _____

PROJECT NAME		READY SHIP SHELTER CAD WORK	
DESCRIPTION		5' X 10' BARREL VAULT ROOF SHELTER w/ FRONT WALL - PLAN AND ELEVATIONS	
PART ENG	PART MGR	DWG DATE	REV1
AC		1/2/18	
		REV2	
		SCALE	NTS
		PAGE	1
		OF	4
		DRAWING #	510W-BV