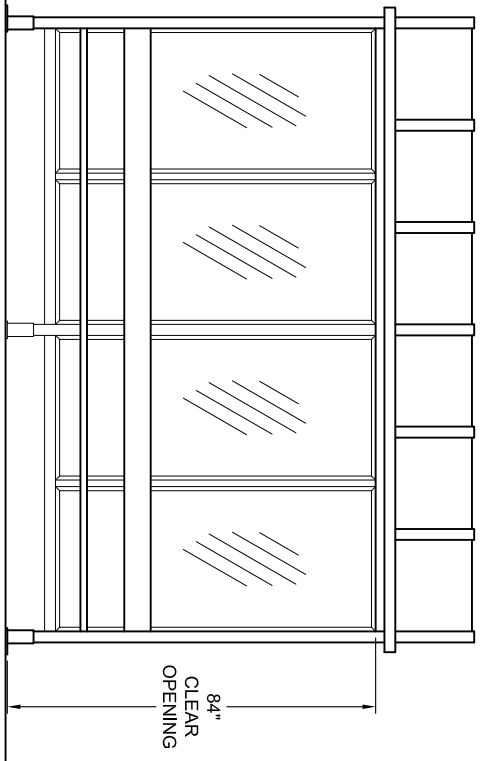
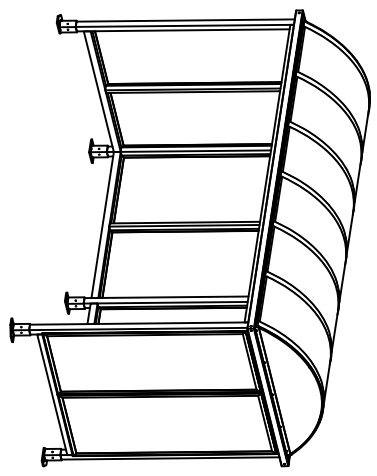
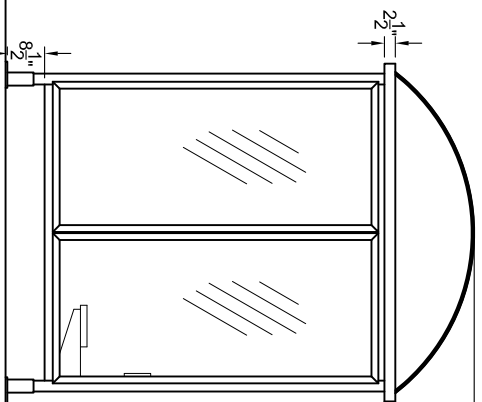


FRONT ELEVATION



SIDE ELEVATION



- NOTES (INITIAL FOR APPROVAL WHERE INDICATED):**
- FINISH IS TO BE DARK BRONZE ANODIZED \_\_\_\_\_
  - ROOF TO BE 6MM PCSS BARREL VAULT \_\_\_\_\_
  - ROOF COLOR TO BE DETERMINED \_\_\_\_\_
  - WALL GLAZING IS 1/4" CLEAR TEMPERED GLASS \_\_\_\_\_
- \*\*PAD BY OTHERS. DIMENSIONS ARE RECOMMENDATION ONLY, ALL APPLICABLE CODES GOVERN\*\***
- DESIGN IS PRELIMINARY, AND INTENDED TO COMPLY WITH SPECIFICATIONS IN ALL ASPECTS, AND PENDING CUSTOMER APPROVAL. ANY SIGNIFICANT DEVIATION FROM SPECIFICATIONS IS UNINTENTIONAL AND MAY BE DISREGARDED. PLEASE CONSULT THE FACTORY.

**DUO-GARD**  
FORGE AHEAD.  
Duo-Gard Industries, Inc.  
Tel (734) 207-9700 Fax (734) 207-7995  
www.duo-gard.com

THIS DRAWING IS PROPRIETARY AND FOR THE SOLE USE OF OUR CUSTOMER AND MAY NOT BE COPIED OR REPRODUCED WITHOUT PRIOR WRITTEN CONSENT FROM DUO-GARD INDUSTRIES, INC. LEAD TIME BEGINS UPON RECEIPT OF SIGNED SHOP DRAWINGS

APPROVAL SIGNATURE \_\_\_\_\_ DATE \_\_\_\_\_

PROJECT NAME		DESCRIPTION		SCALE	PAGE	OF	DRAWING #
CUSTOMER SAMPLE		6' X 12' TRANSIT STYLE SHELTER - PLAN AND ELEVATIONS		NTS	X	X	XXX
PRJT ENG	PRJT MGR	DWG DATE	REV1	REV2			
XXX	XXX	XXX					