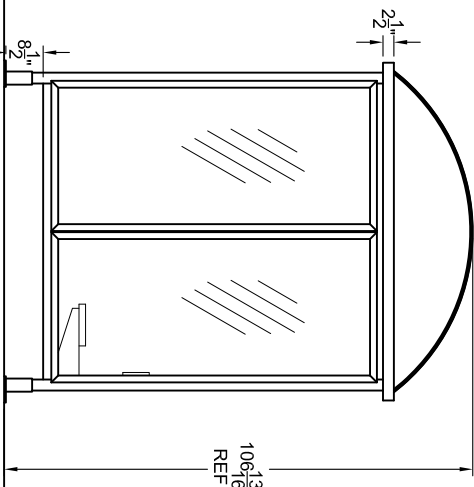
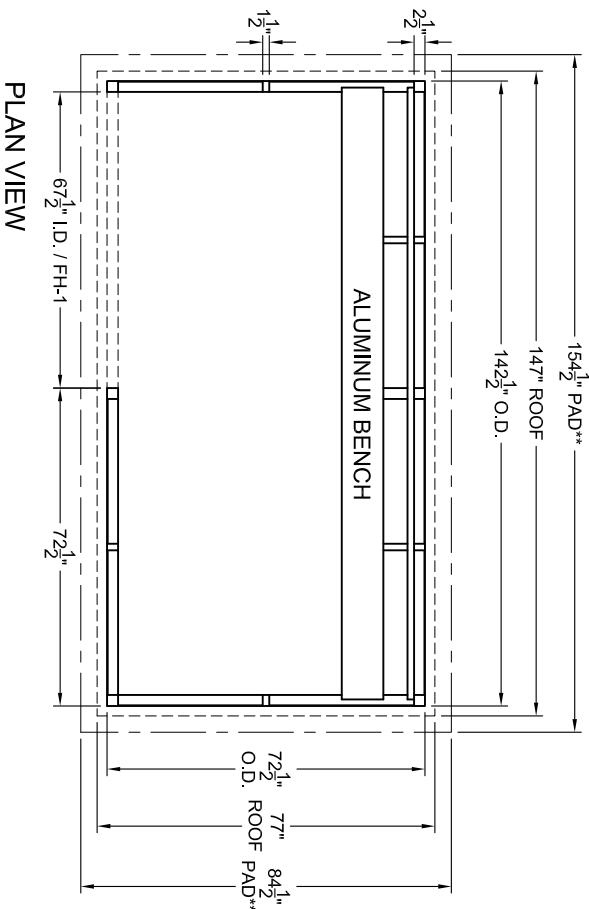


FRONT ELEVATION



SIDE ELEVATION



PLAN VIEW

- NOTES (INITIAL FOR APPROVAL WHERE INDICATED):**
- FINISH IS TO BE DARK BRONZE ANODIZED
  - ROOF TO BE 6MM BRONZE PCSS BARREL VAULT
  - WALL GLAZING IS 1/4" CLEAR TEMPERED GLASS
  - FULL LENGTH ALUMINUM BENCH AND BACKREST
- \*\*PAD BY OTHERS. DIMENSIONS ARE RECOMMENDATION ONLY, ALL APPLICABLE CODES GOVERN\*\***

Duo-Gard Industries, Inc.  
Tel (734) 207-9700 Fax (734) 207-7995  
www.duo-gard.com

THIS DRAWING IS PROPRIETARY AND FOR THE SOLE USE OF OUR CUSTOMER AND MAY NOT BE COPIED OR REPRODUCED WITHOUT PRIOR WRITTEN CONSENT FROM DUO-GARD INDUSTRIES, INC. LEAD TIME BEGINS UPON RECEIPT OF SIGNED SHOP DRAWINGS

APPROVAL SIGNATURE \_\_\_\_\_ DATE \_\_\_\_\_

PROJECT NAME		DESCRIPTION		SCALE		PAGE		DRAWING #	
READY SHIP SHELTER CAD WORK		6' X 12' BARREL VAULT ROOF SHELTER w/ FRONT WALL - PLAN AND ELEVATIONS		NTS		1 OF 4		612W-BV	
PART ENG	PART MGR	DWG DATE	REV1	REV2	SCALE	PAGE	OF	DRAWING #	
AC		1/2/18			NTS	1	4	612W-BV	