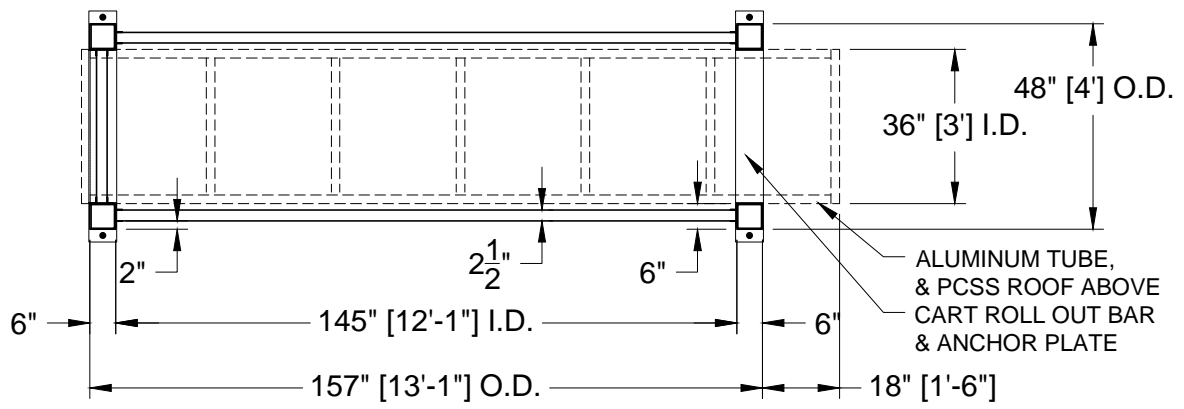


SIDE ELEVATION

FRONT ELEVATION



PLAN VIEW

NOTES (INITIAL APPROVAL WHERE INDICATED):

- FINISH IS DARK BRONZE ANODIZED
- ROOF IS SINGLE SLOPE WITH 6mm P.C.S.S. GLAZING

SEE QUOTE FOR OPTIONS

DESIGN IS PRELIMINARY, AND INTENDED TO COMPLY WITH SPECIFICATIONS IN ALL ASPECTS, AND PENDING CUSTOMER APPROVAL. ANY SIGNIFICANT DEVIATION FROM SPECIFICATIONS IS UNINTENTIONAL AND MAY BE DISREGARDED: PLEASE CONSULT THE FACTORY.

REVISIONS		
0-0-00	A:	BDI



THIS DRAWING IS PROPRIETARY AND FOR THE SOLE USE OF OUR CUSTOMER AND MAY NOT BE COPIED OR REPRODUCED WITHOUT PRIOR WRITTEN CONSENT FROM DUO-GARD INDUSTRIES, INC. LEAD TIME BEGINS UPON RECEIPT OF SIGNED SHOP DRAWINGS

APPROVAL SIGNATURE _____ DATE _____

X _____ / /

PROJECT NAME											
OLYMPIA - SINGLE WIDE - CUSTOMER SAMPLE											
DESCRIPTION											
3' X 14' SINGLE SLOPE (FRONT TO BACK) CART CORRAL - PLAN & ELEVATION VIEWS											
PRJT ENG	PRJT MGR	DRFTR	DWG DATE	REV1	REV2	SCALE	PAGE	OF	DRWNG #		
--	--	GS	3.5.19			1/4" = 1'-0"	1	1	00000		